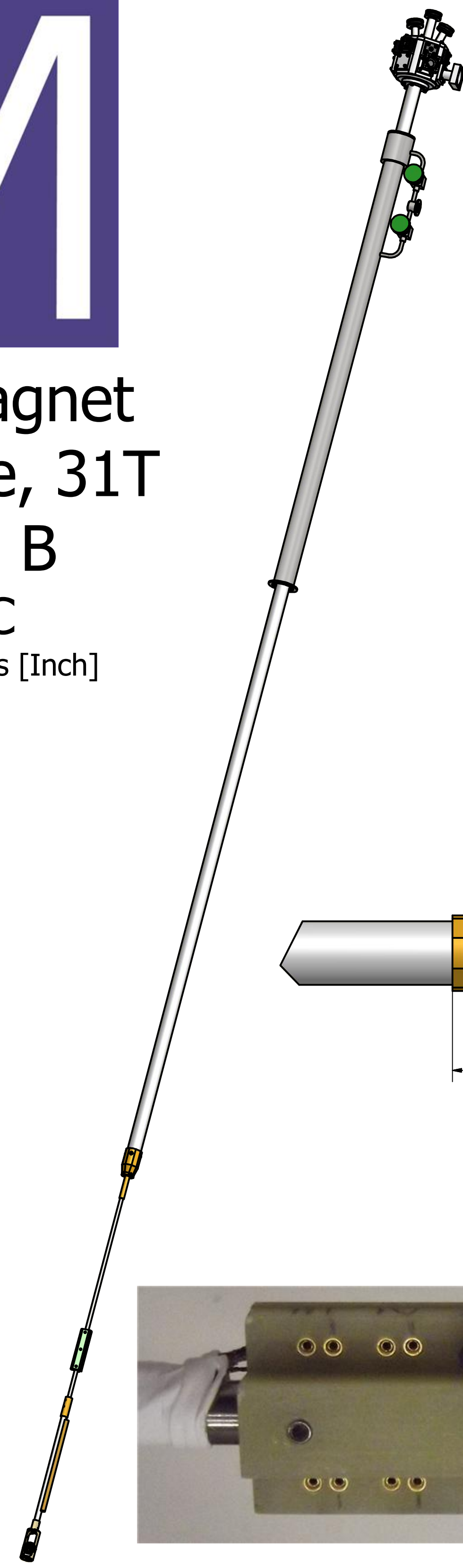
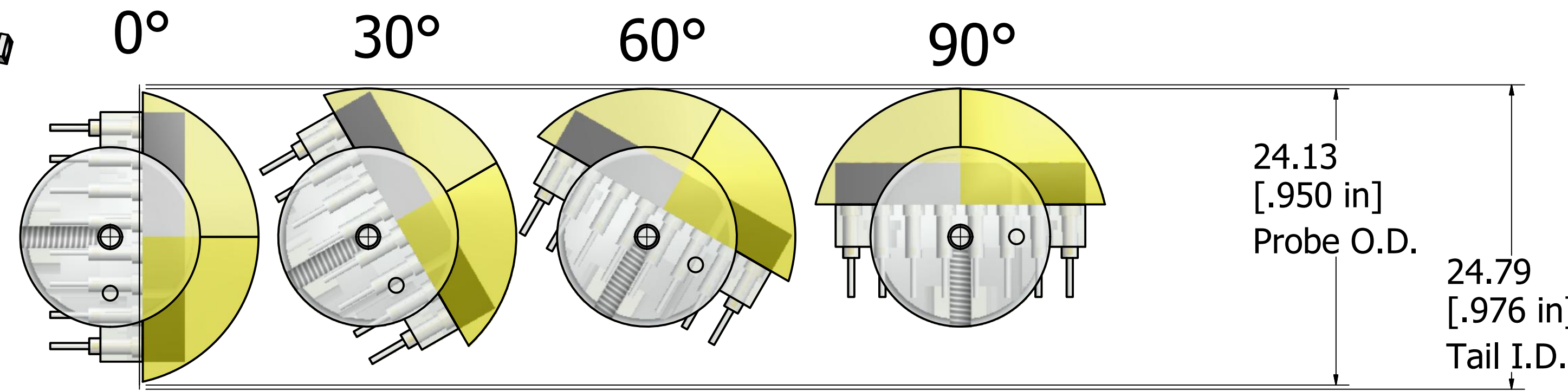


Cell 09 Magnet
50mm Bore, 31T
System B
Probe C
Units in Millimeters [Inch]



Sample Under Rotation



Your Sample Must Fit Within This Volume

