

Units shown are millimeters

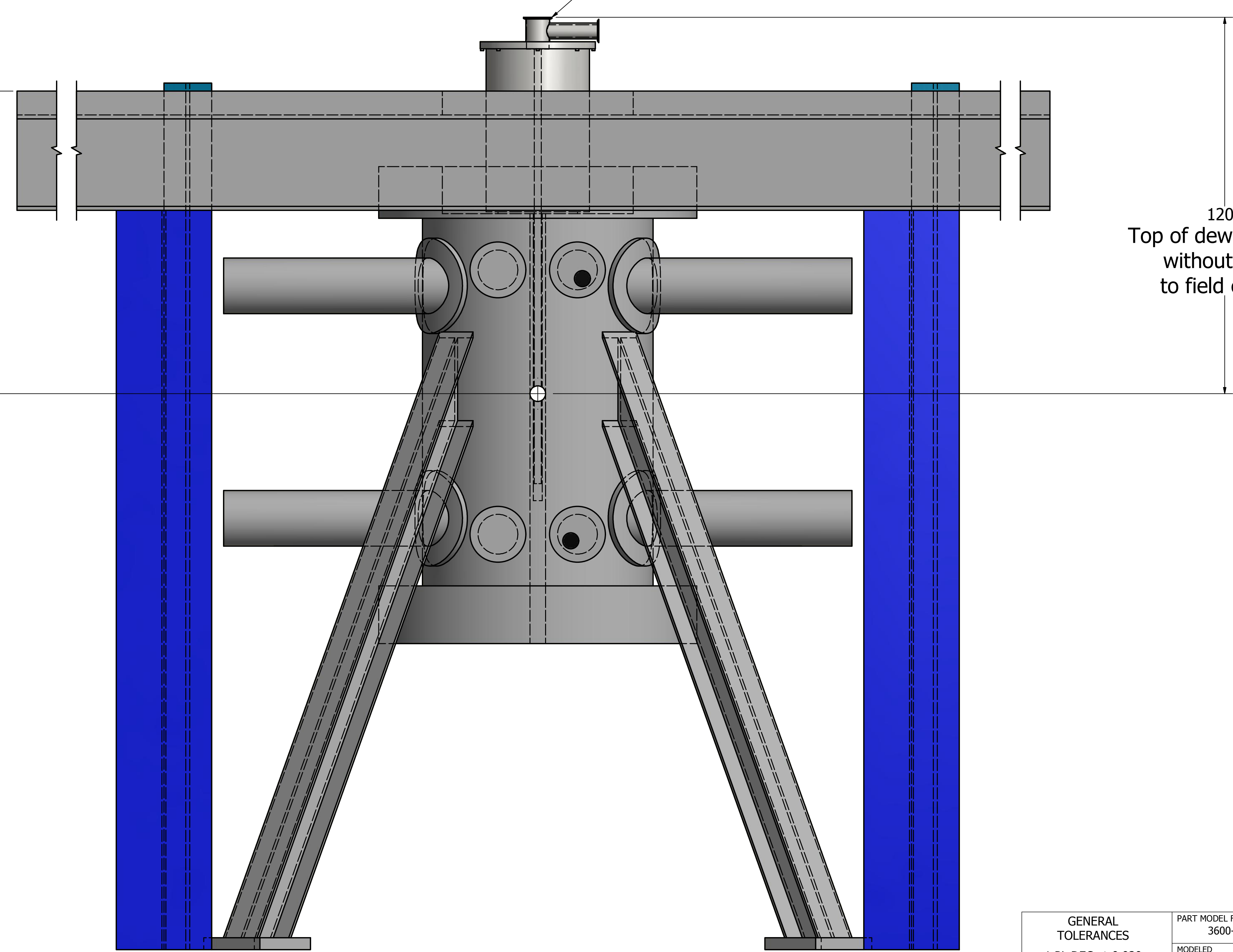
Janis 13" dewar on cell 7 magnet

50 mm bore magnet, 31.2 T

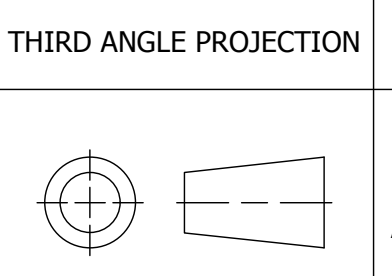
Dewar sits directly on top of magnet housing

967
Top of user platform to field center

1203
Top of dewar flange without oring to field center



This drawing and the information it contains are both property of the Florida State University and are to be held by the recipient as confidential and are not to be transferred to any third party, used to make or furnish information for making any physical structure or any pictorial, graphic or verbal representation of any information contained herein or copied (unless supplied in productive form) without the express written consent of the Florida State University.



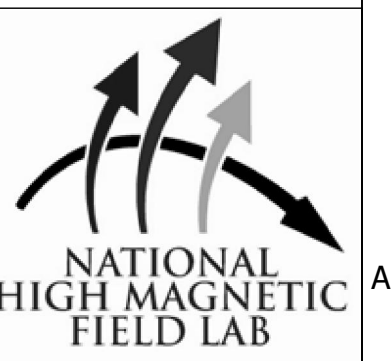
GENERAL TOLERANCES
1 PL DEC: ± 0.020
2 PL DEC: ± 0.010
3 PL DEC: ± 0.005
ANGLES: $\pm 1'$

UNLESS OTHERWISE SPECIFIED, DIMENSIONS ARE IN INCHES. DO NOT SCALE DRAWING

PART MODEL FILENAME 3600-1000-0000-MB-sm.iam	
MODELED baldwin	6/11/2012
DETAILED maier	9/16/2014
CHECKED	

NATIONAL HIGH MAGNETIC FIELD LABORATORY
1800 E PAUL DIRAC DRIVE
TALLAHASSEE, FLORIDA 32310

DESC
Cell 7 Platform Assembly



SIZE D	DWG NUMBER 3600-1000-0000-MB-sm	REV
------------------	---	-----